

The hitch insert bracket shown can be used to mount the RockSolid to any 2" hitch. The bracket slips under the hitch insert, (the insert has the ball mounted to it) and using a three piece 76"x1"x1" steel angle assembly (included), the unit can be mounted to the hitch insert for easy removal and installation.

1) Using the 3/4" bolts and nylon insert locknuts, assemble the three 1" X 1" steel angle bars as shown in Fig. 1 to make a single 76" bar.

2) Align the pre-drilled holes in the RockSolid with those in the Angled Support Bar.

3) Attach the RockSolid guards to the angle support using the 1/4" - 20 - 1" nuts, bolts, and fender washers provided.

4) Mount the assembled unit to the hitch insert using the 5/16" bolts, nuts, and lock washers provided.

The RockSolid Kit Includes:

2- 34" X 14" X .375" Rubber Guards for: RockSolid Model #11

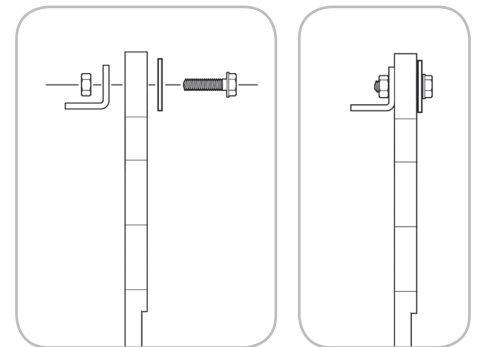
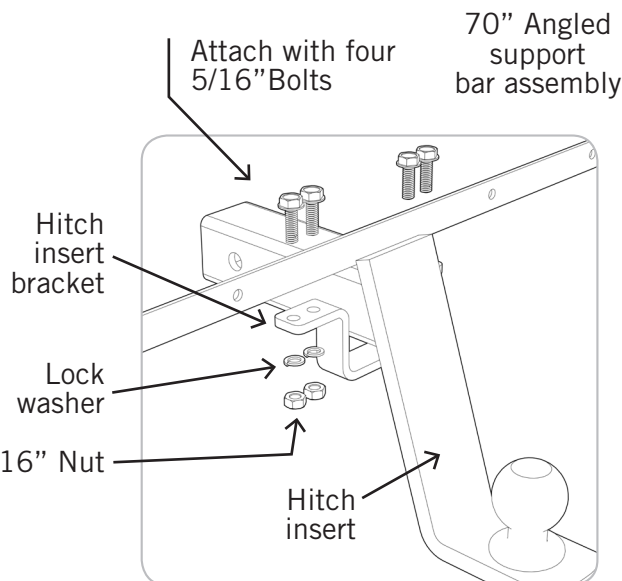
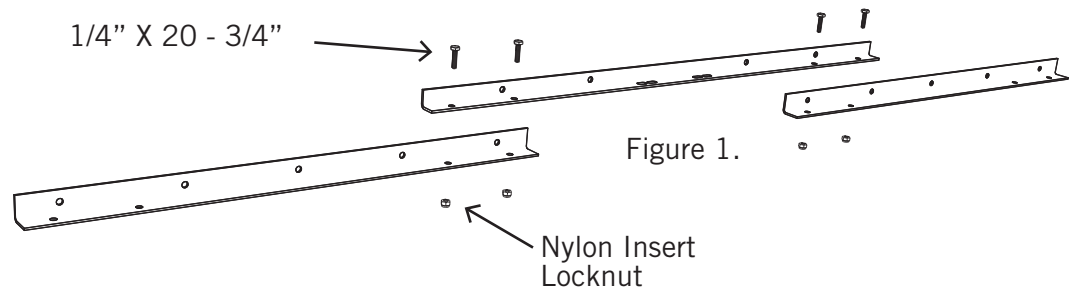
2 - 28" Pre-Drilled Steel Angle End Support Bars (#1 and #3 in fig.1)

1- 34" Pre-Drilled Steel Angle Center Support Bar (#2 in fig. 1)

1- Hitch Insert Bracket

10- Fender washers
10- 1/4"-20-1" bolts
10- 1/4" nuts

4- 5/16" nuts
4- 5/16" bolts
4- 5/16" split ring lock washers
4- 1/4" X 20 - 3/4" Bolts
4- 1/4" Nylon insert Locknuts



Side View: Installing the RockSolid guards to the support bar using the set of 10, 1/4"-20-1" nuts and fender washers and bolts.

Assembled hitch insert bracket and support bar.

You will need:

- 7/16" socket and wrench
- 1/2" socket and wrench

