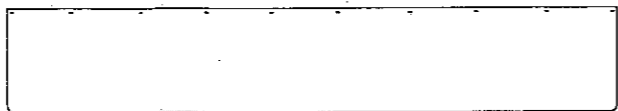


# ULTRAGUARD<sup>®</sup>

## Mounting Instructions

### Your Kit Includes:

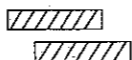
- 1 - Ultra Guard, 94"x20" model 00014 or 94"x16" model 00016



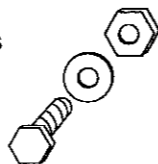
- 2 - 16" anodized aluminum strips



- 2 - 12" Reflectors



- 1 - Fastener pack  
 10- 1/4" - 20 - 1" bolts  
 10- 1/4" - 20 nuts  
 10- 1/4" washers



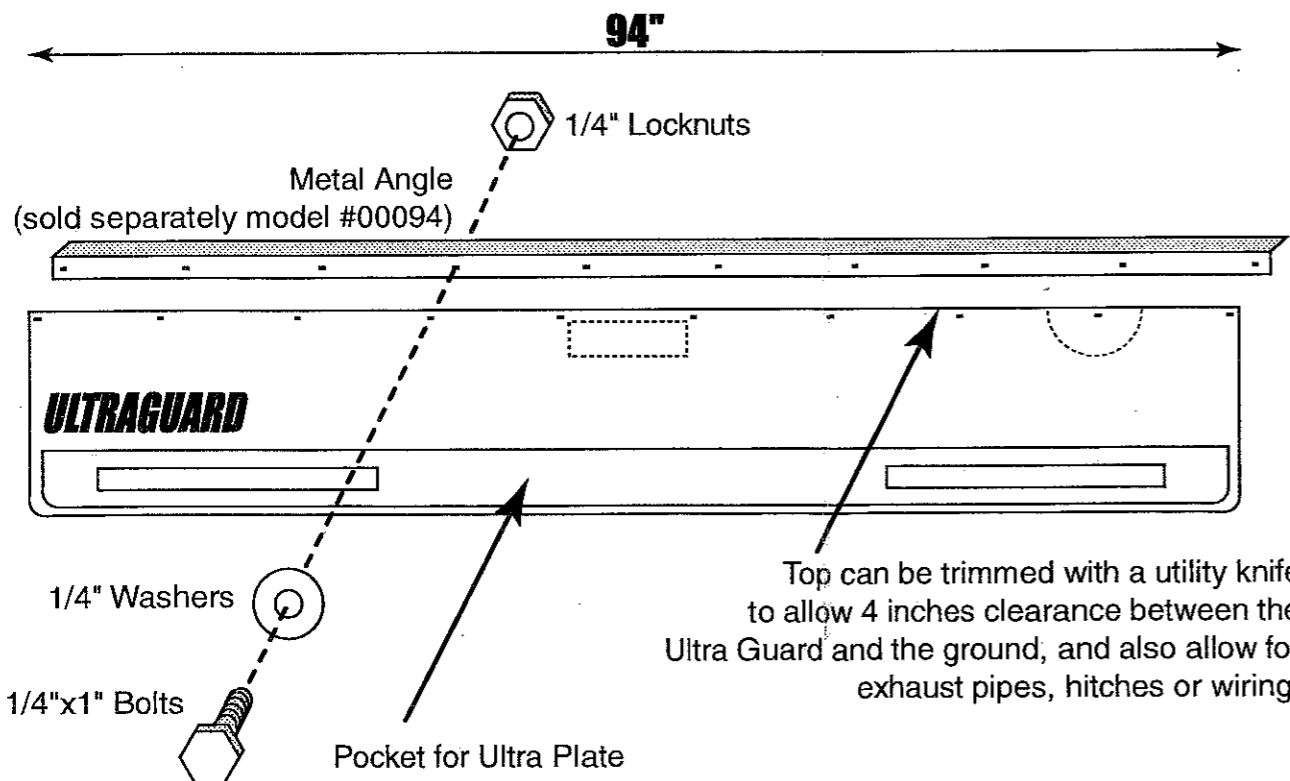
### Tools You Will Need:

Electric drill with 5/16" and 3/16" drill bits  
 1-1/2" x 1-1/2" x 8' metal angle (sold separately, Model #00094)  
 Phillips screwdriver  
 7/16" wrenches

### You May also Need:

Hacksaw, Utility knife, Vise and/or clamps  
 Tape Measure, Mounting hardware for metal angle

- 4- #10 stainless steel screws  
 4- #10 washers  
 4- #10 nylon inset locknut

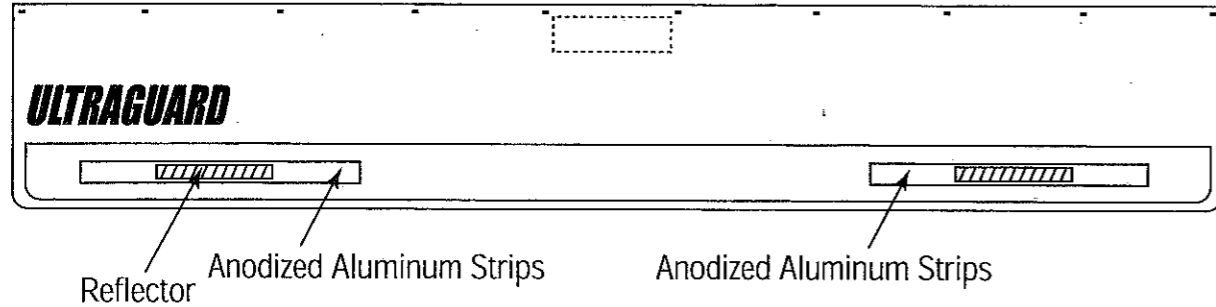


- Step 1:** Locate a suitable mounting location on the vehicle for the metal angle (bumper, frame, etc.). Mark locations on the angle for mounting it to the vehicle. Remember to leave at least 4" clearance between the bottom of the Ultra Guard and the ground when the motor home is fully loaded. The Ultra Guard can be trimmed at the top.
- Step 2:** Using the slots in the top of the Ultra Guard as guides, drill ten 5/16" holes in the angle. (If you purchased our angle, holes are already drilled)
- Step 3:** In some cases, it may be necessary to cut out the center panel with a utility knife for a hitch, wiring or exhaust pipe.
- Step 4:** Center and insert the two metal trim pieces into the molded pocket. Drill four 3/16" holes through the Ultra Guard and fasten trim to the Ultra Guard using the four # 10 x 1" Stainless steel bolts, #10 washers, and nylon inset locknuts. (see illustration on back of sheet)

Continued on back

# ULTRAGUARD®

## Mounting Instructions Continued



- Step 5:** Using the adhesive backing, fasten the two reflectors onto the metal trim pieces. (see illustration above)
- Step 6:** Mount the Ultra Guard to the metal angle using the ten 1/4" x 20 x 1" bolts, 1/4" washers and 1/4" locknuts.
- Step 7:** Mount the assembled Ultra Guard to the motor home.

### CAUTION

The Ultra Guard is designed to help protect your towed vehicle from damage caused by road debris, gravel, etc. Proper installation requires 4 inches clearance minimum between the ground and the unit. Debris which passes underneath the unit can still cause damage to the towed vehicle. Extra precautions are advised, especially when traveling on gravel roads. In any case, Smart Solutions does not warranty any vehicle from damage.